

The Scala YA7-FML and YA7-FMH are ruggedly built, yagi antennas, designed for professional FM transmit and receive applications.

Like all Scala antennas, the YA7-FML and YA7-FMH are made of the finest materials using state of the art electrical and mechanical designs resulting in superior performance and long service life.

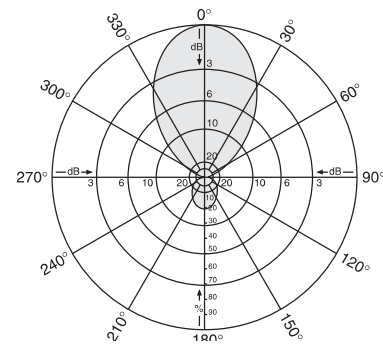
The YA7-FML and YA7-FMH may be used stand alone or in stacked arrays for higher gain, increased side-lobe suppression, or custom azimuth patterns.



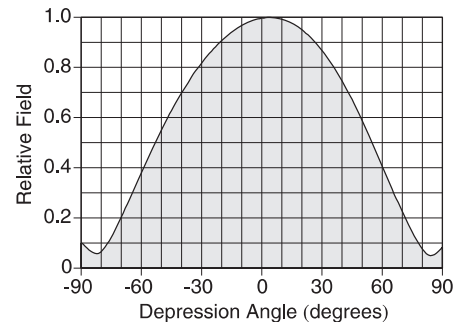
Specifications

Frequency range	YA7-FML	88—98 MHz
	YA7-FMH	98—108 MHz
Gain	7 dBd (broadband)	
Power gain	5.01	
Impedance	50 ohms	
VSWR	<1.35:1	
Polarization	Horizontal or vertical	
Front-to-back ratio	>13 dB	
Maximum input power	500 watts	
H-plane beamwidth	83 degrees (half-power) Horizontal polarization	
E-plane beamwidth	56 degrees (half-power) Horizontal polarization	
Connector	N female	
Weight	22 lb (10 kg) maximum	
Dimensions	85 x 66 x 5 inches (2159 x 1676 x 127 mm)	
Wind load at 100 mph (160 kph)		
Front	85 lbf (378 N)	
Wind survival rating*	100 mph (161 kph)	
Shipping dimensions	87 x 13 x 8 inches (2210 x 330 x 203 mm)	
Shipping weight	28.0 lb (12.7 kg) maximum	
Mounting	For masts of 2.375 inch (60 mm) OD.	
YA7-FML/HCM	Center-mount 88—98 MHz	
YA7-FML/URM	Rear-mount 88—98 MHz	
YA7-FMH/HCM	Center-mount 98—108 MHz	
YA7-FMH/URM	Rear-mount 98—108 MHz	

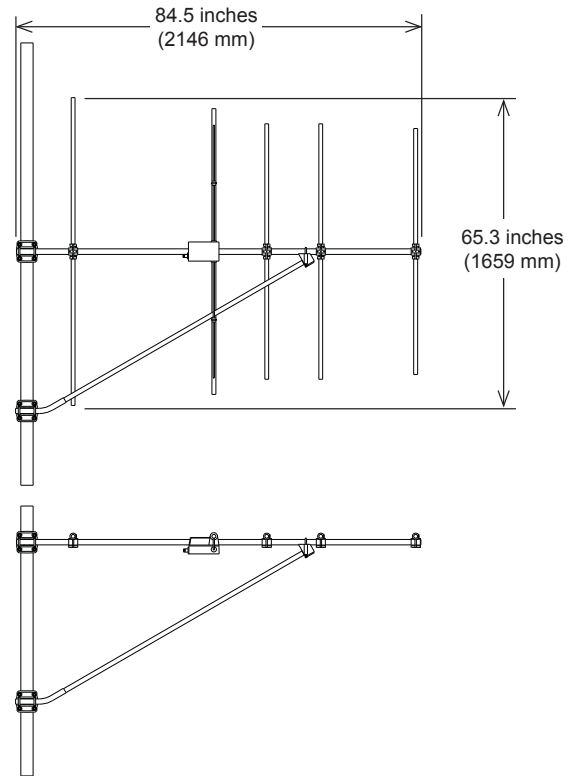
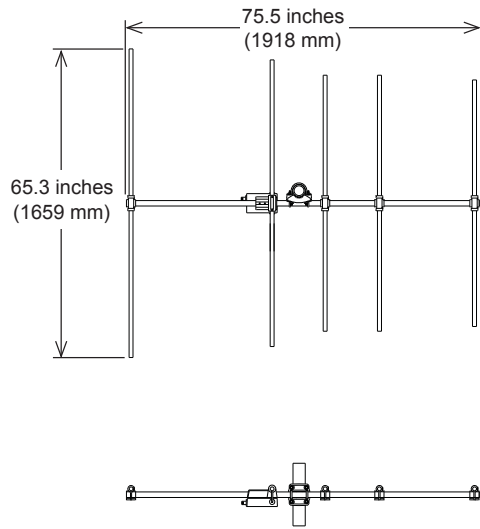
*Mechanical design is based on environmental conditions as stipulated in TIA-222-G-2 (December 2009) and/or ETS 300 019-1-4 which include the static mechanical load imposed on an antenna by wind at maximum velocity. Contact KBU for further details.



Azimuth pattern (E-plane)



Elevation pattern (H-plane)



Order information

Model	Description
YA7-FML/HCM	Center-mount 88—98 MHz antenna
YA7-FML/URM	Rear-mount 88—98 MHz antenna
YA7-FMH/HCM	Center-mount 98—108 MHz antenna
YA7-FMH/URM	Rear-mount 98—108 MHz antenna

30066 subject to alteration